

MICRO-EH SERIES

Programmable Logic Controllers



Technical Data

Hitachi's compact PLC series MICRO-EH.
Maximum power, mini format.

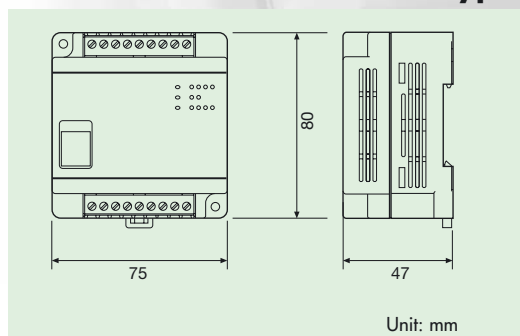
- 10 to 140 I/O
- Analogue data processing
- Starting at 0.9 μ s / basic command
- Expandable
- IEC 61131-3 programming
- PWM and pulse train outputs
- Interrupt inputs
- 32 bit-RISC-processor
- High-speed counter input
- Real-time clock



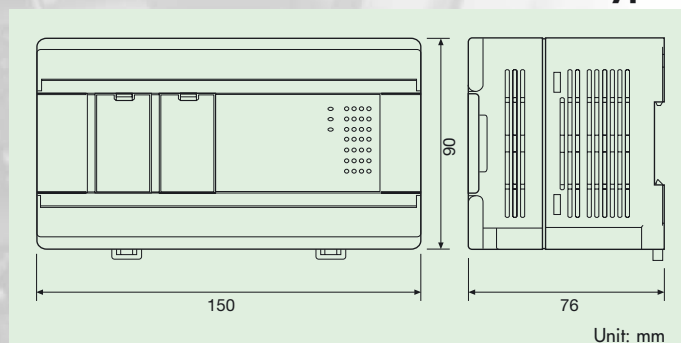
All features at a glance

Type		Compact PLC (Central Units)				Expansion units		
		MICRO-EH 10	MICRO-EH 14	MICRO-EH 23	MICRO-EH 28	MICRO-EH 14E	MICRO-EH 28E	MICRO-EH 6AE
Power supply	24V DC	•	•	•	•	•	•	•
	110 - 240V AC	–	•	•	•	•	•	•
Cycle time per binary instruction		0.9µs	0.9µs	0.9µs	0.9µs			
Memory	Program (1 step = 4 Byte)	3 k steps max. (12 kByte)	3 k steps max. (12 kByte)	3 k steps max. (12 kByte)	3 k steps max. (12 kByte)			
	Data	10 kByte	10 kByte	10 kByte	10 kByte			
	Type	FLASH and RAM	FLASH and RAM	FLASH and RAM	FLASH and RAM			
	Pluggable	coming soon	coming soon	coming soon	coming soon			
Functions	Real time clock	–	–	•	•			
	Potentiometer, 10 bit resolution	–	2	2	2			
Modules	Digital inputs	6	8	13	16	8	16	
	Type of inputs	DC	DC / AC	DC	DC / AC	DC / AC	DC	
	Digital outputs	4	6	10	12	6	12	
	Type of outputs	DC	Relay/Trans/Triac	Relay	Relay/Trans/Triac	Relay/Trans/Triac	Relay/Trans	
	Analogue inputs			2				4
	Type of analogue inputs			I/U, 12 bit				I/U/RTD, 12 bit
	Analogue outputs			1				2
	Type of analogue outputs			I/U, 12 bit				I/U, 12 bit
	max. number of expansion units		4	4	4			
	High-speed counter inputs	3 channels 10 kHz max.	4 channels 10 kHz max.	4 channels 10 kHz max.	4 channels 10 kHz max.			
	Interrupt inputs	3	4	4	4			
	PWM outputs	4 channels 2 kHz	4 channels 2 kHz	4 channels 2 kHz	4 channels 2 kHz			
Pulse output	4 channels 5 kHz	4 channels 5 kHz	4 channels 5 kHz	4 channels 5 kHz				
Base unit	32 bit RISC processor	•	•	•	•			
Communication	Serial	RS-232 (1 x)	RS-232 (1 x)	RS-232 (1 x) RS-485 (1 x)	RS-232 (1 x) RS-485 (1 x)			
Connections	Removable terminal block	–	•	•	•	•	•	•
Mounting		DIN rail or wall mounting						

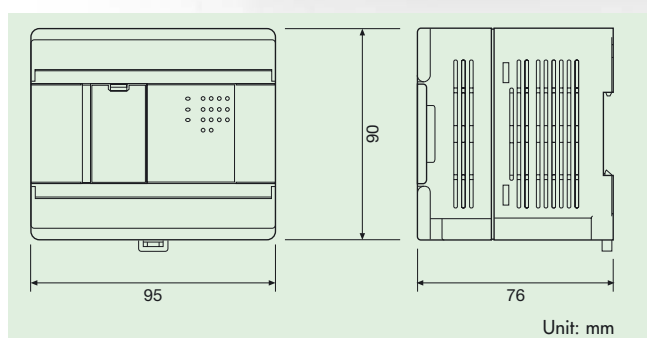
Dimensions MICRO-EH-10 types



Dimensions MICRO-EH-23/28/28E types



Dimensions MICRO-EH-14/14E/6AE types



Local contact:

www.hitachi-ds.com

Hitachi Europe GmbH

Hitachi Europe GmbH · Am Seestern 18 · D-40547 Düsseldorf · Tel. +49-211-52 83 -0 · Fax +49-211-52 83 -649 · eMail: info-dus.pcs@hitachi-eu.com